

**STANDARD MATERIALS AND CONSTRUCTION**

**FRAME:** 14-GA aluminum.

**BLADE:** 16-GA aluminum Airfoil exterior with 22-GA perforated aluminum interior surface.

**INSULATION:** Eco-Sound insulation

**FINISH:** Mill.

**OPTIONS**

Finish - Baked Enamel, Kynar, Anodize

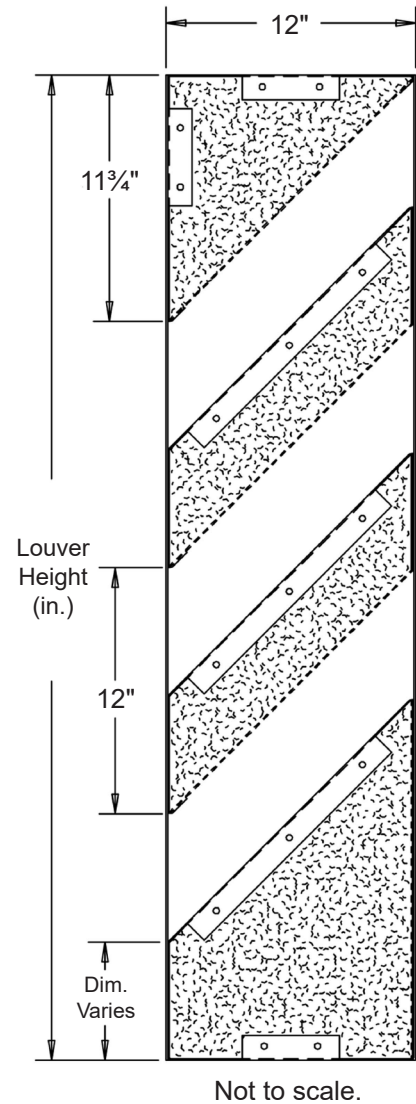
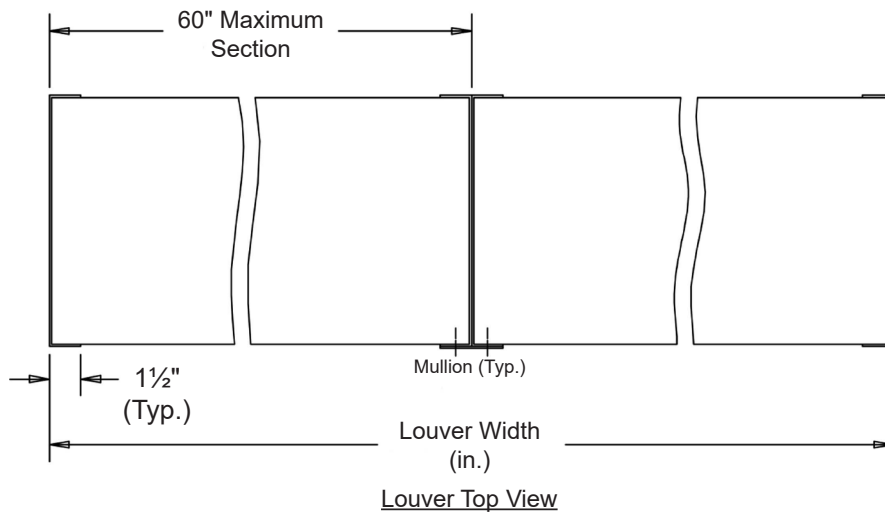
Screen - 1/2" sq. mesh, aluminum (.051") or galvanized steel (.041")


**NOTES**

1. Nominal deductions will be made to the opening size given.

**LOUVER SIZES**

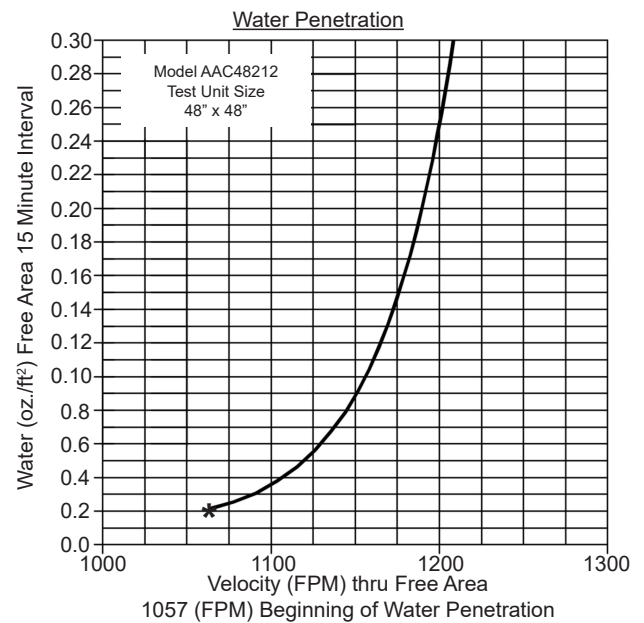
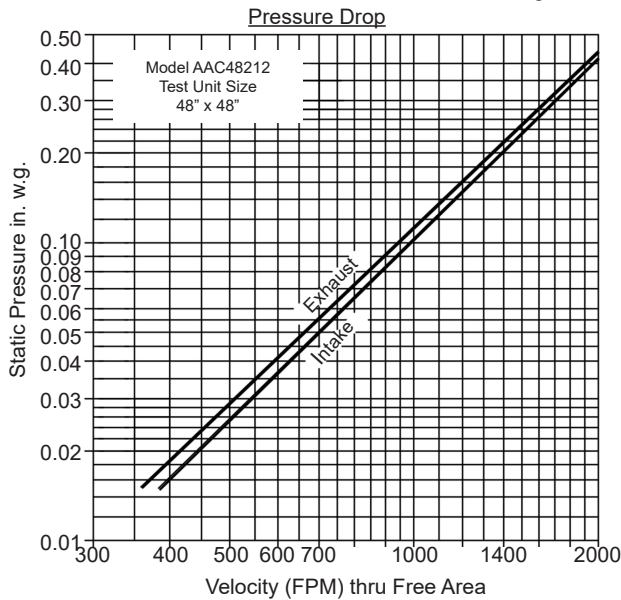
Min Panel	Max Single Panel
12"W x 24"H	60"W x 96"H



												
<b>Item #</b>	<b>Qty</b>	<b>Width</b>	<b>Height</b>	<b>Width</b>	<b>Height</b>	<b>Mullion</b>	<b>Type</b>	<b>Location</b>				
		<b>Opening Size</b>		<b>Louver Size</b>			<b>Screens</b>					
<b>Arch. / Eng. :</b>						<b>EDR:</b>		<b>ECN:</b>		<b>Job:</b>		
<b>Contractor:</b>												
<b>Project:</b>						<b>Date:</b>		<b>DWN:</b>		<b>DWG:</b>		

**PERFORMANCE DATA**

Ratings do not include effects of a screen.



Intake air converted to standard air density.  
Tested to AMCA Standard 500-L, Figure 5.5.

**Transmission Loss**

Octave Band	1	2	3	4	5	6	7	8
Frequency (Hz)	63	125	250	500	1000	2000	4000	8000
Sound Transmission Loss (db)	8	6	4	9	14	12	11	11
Free Field Noise Reduction	14	12	10	15	20	18	17	17

**Attenuation**

Octave Band Center Frequency (Hz)

Distance from Louver (ft)	Octave Band Center Frequency (Hz)							
	1 / 63	2 / 125	3 / 250	4 / 500	5 / 1000	6 / 2000	7 / 4000	8 / 8000
0'	14	12	10	15	20	18	17	17
10'	26	24	22	27	32	30	29	29
50'	40	38	36	41	46	44	43	43
100'	46	44	42	47	52	50	49	49
200'	52	50	48	53	58	56	55	55
500'	60	58	56	61	66	64	63	63
1000'	66	64	62	67	72	70	69	69

Attenuation chart above is a combination of the Model AAC48212 sound transmission loss and the reduction of sound energy as a function of distance.

**Free Area (sq. ft.)**

		Width (in.)								
		12"	18"	24"	30"	36"	42"	48"	54"	60"
Height (in.)	24"	.27	.45	.63	.81	.98	1.16	1.34	1.52	1.70
	36"	.54	.90	1.25	1.61	1.97	2.33	2.69	3.04	3.40
	48"	.81	1.34	1.88	2.42	2.95	3.49	4.03	4.56	5.10
	60"	1.07	1.79	2.51	3.22	3.94	4.65	5.37	6.09	6.80
	72"	1.34	2.24	3.13	4.03	4.92	5.82	6.71	7.61	8.50
	84"	1.61	2.69	3.76	4.83	5.91	6.98	8.06	9.13	10.20
96"	1.88	3.13	4.39	5.64	6.89	8.14	9.40	10.65	11.90	